

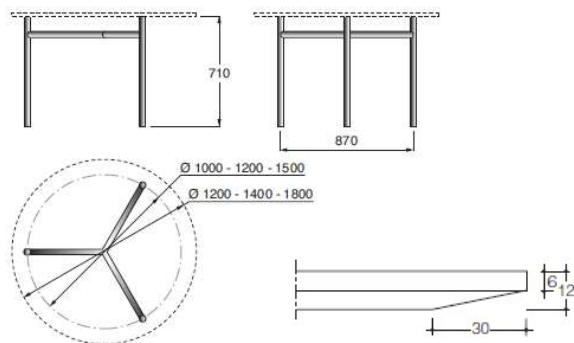
KITCHEN / DUEMILAOTTO Table

Roud Ø : 1800/1400 mm

FINISHES

Slanted worktop in EXTRALIGHT GLASS - Thickness: 12 mm
Versions: TRANSPARENT / COLOURED TRANSPARENT (colours: BLUE).

Table structure for ROUND top.
Made of Ø 40 mm tubular stainless steel, satin finish, 3 legs.



Boffi | DePadova

TIME & STYLE edition | MAU | ADL